



28 Open

SOP 04.07.08
Original Issue 04/07/08
Rev New

Page:
1 of 1

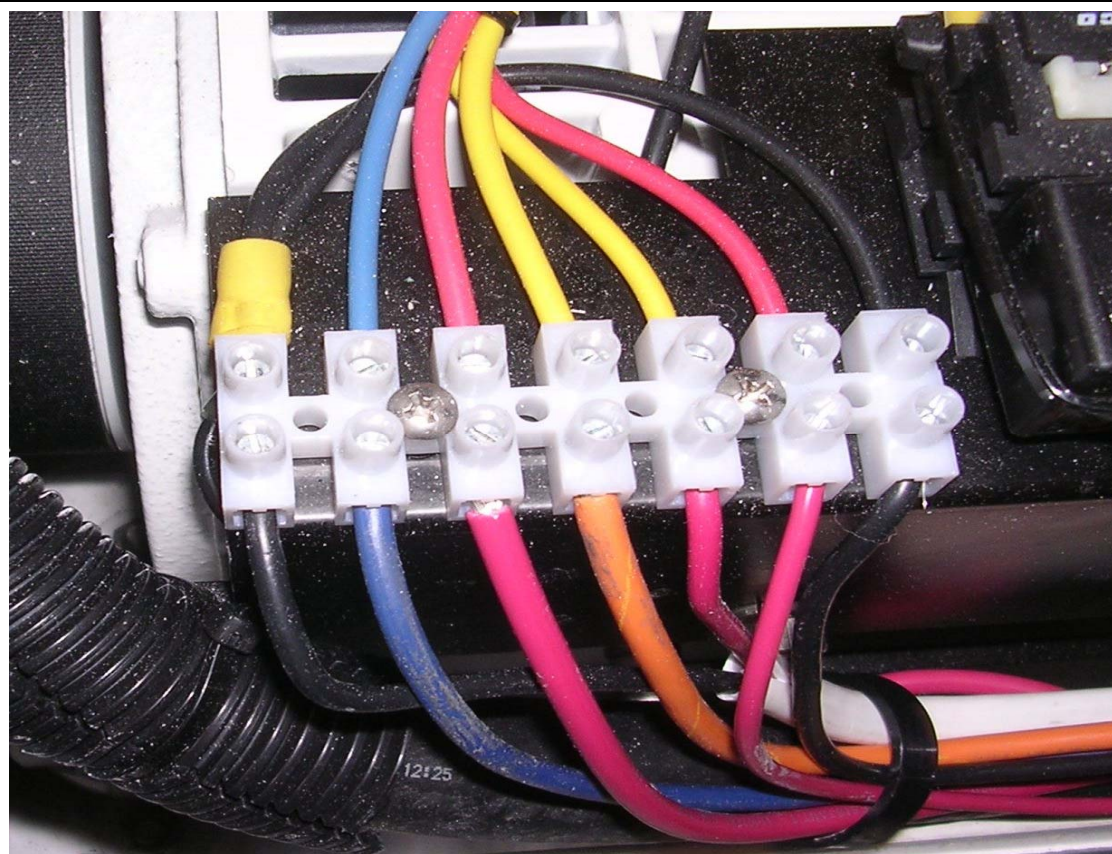
**NextGen Harness Fuse
Installation**

Total Task Time:
15 Minutes

Safety: Safety Glasses

Disconnect Genset Battery at Switch before installing fuses.

Item	Qty	Materials Required	MRP#
1	1	20A ATC Fuse	1032699
2	1	10A ATC Fuse	1029253
3	2	Inline ATC Fuse Holder	1034159



NextGen Harness Terminal Strip without Fuses (Terminals Left to Right):

1. GND – BLACK
2. CRANK – BLUE
3. BATTERY+ - RED – NEEDS 20A FUSE
4. PREHEAT/STOP – YELLOW TO ORG/YEL
5. INDICATOR LIGHT – YELLOW TO RED (INTERNAL)
6. BLOWER+ - RED – NEEDS 10A FUSE
7. BLOWER GND - BLACK



28 Open

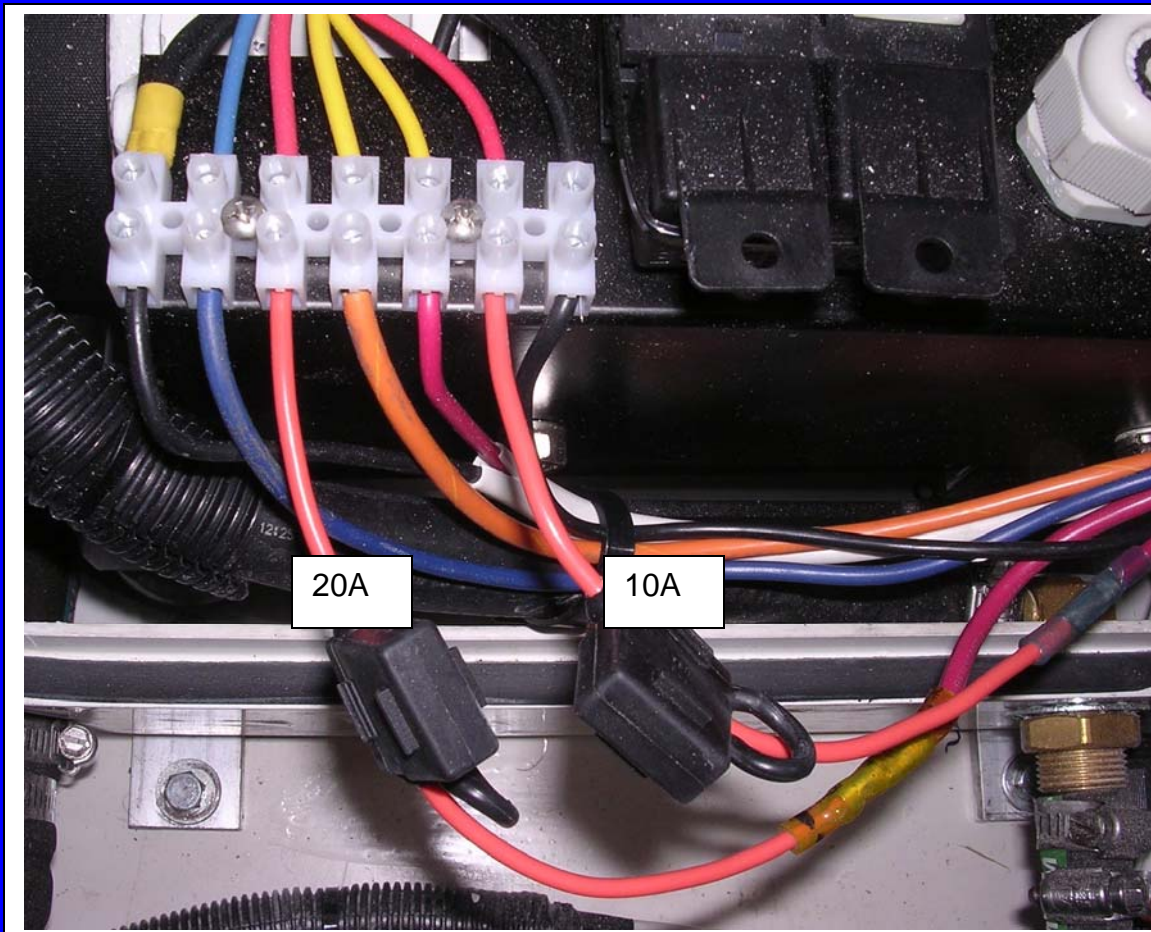
SOP 04.07.08
Original Issue 04/07/08
Rev New

Page:
2 of 2

**NextGen Harness Fuse
Installation**

Total Task Time:
15 minutes

Safety: Safety Glasses
Disconnect Genset Battery at Switch before installing fuses.



Fuse Installation:

- Install Inline Fuse Holders on Terminals #3, and #6 – Butt Spliced into existing Harness with heat shrink butt connectors.
- Install the 20A Fuse in the BATTERY+ circuit (TERMINAL 3, RED WIRE)
- Install the 10A Fuse on the positive side of the blower circuit (TERMINAL 6, RED WIRE)